

8.3

Rotary Disconnects

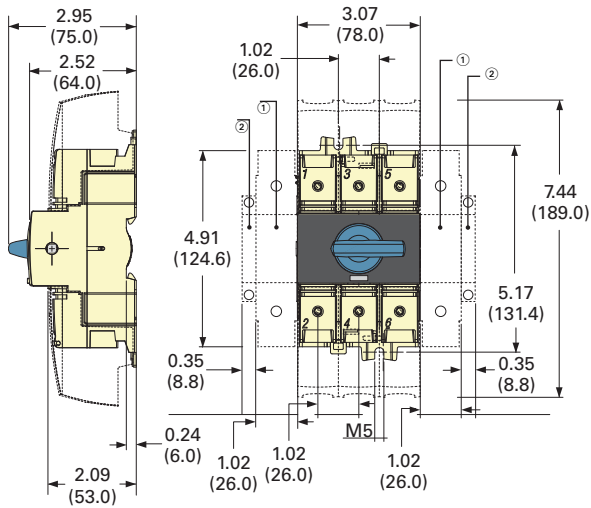
R9 Series (UL 98)

Dimensions

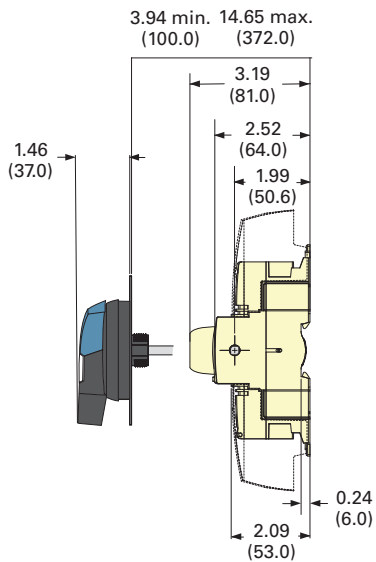
Approximate Dimensions in Inches (mm)

R9 Series 30–100A Compact

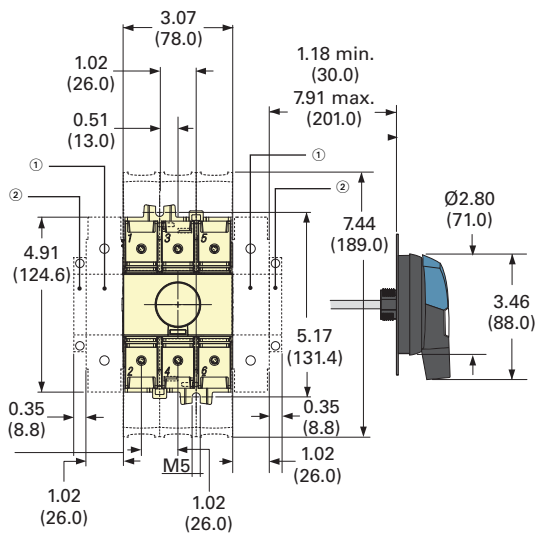
Direct Operation



External Front Operation



External Side Operation



Notes

- ① One switched fourth-pole module (one per device maximum) and/or one unswitched neutral pole.
- ② Auxiliary contact.